



MTX SERIES: MULTISTANDARD MULTIMODE DIGITAL & ANALOG TERRESTRIAL TV TRANSMITTER LINE

CONFIGURATION EXAMPLE:

2,5KW UHF DIGITAL TV TRANSMITTER (SINGLE DRIVER – DUAL AMPLIFIER)



Output filter (option)

System Control & Automatic Changeover
MTX – Driving Unit

Amplifier 1250W "A"

Amplifier 1250W "B"

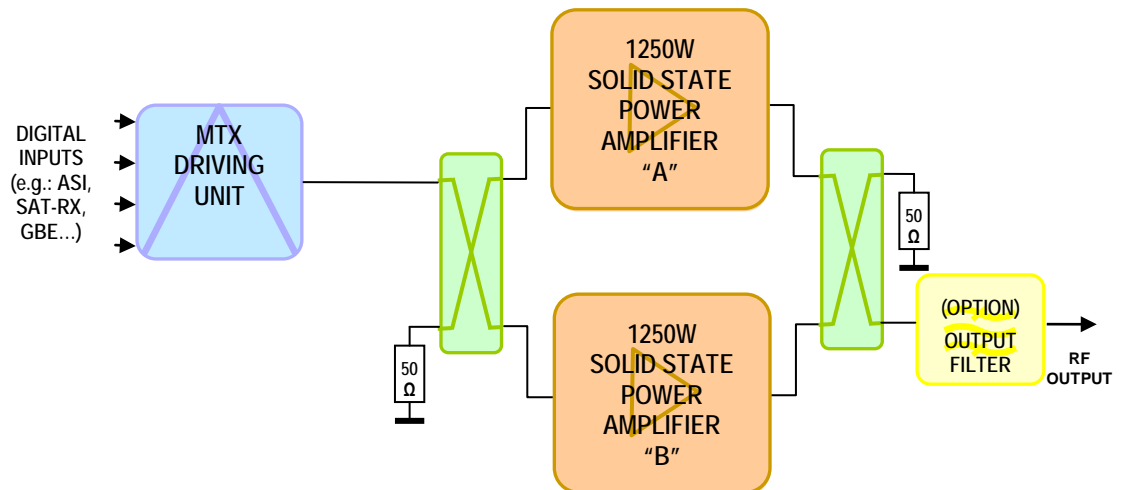
Mains switch

The "MTX" is a Software Defined Radio Transmitter /Transposer Series easily configurable or re-configurable as analog or digital multistandard unit.

ANALOG - DVB-T/H - DVB-T2 - ISDB-T/Tb - ATSC



MTX D 2K /U BLOCK DIAGRAM



MTX D 2K /U Standard specification

GENERAL SPECIFICATIONS

Output frequency range:	UHF 470 to 860MHz in 1Hz steps
Output Power (before output filter):	2500W rms (tol. +0/-1dB)
Output connector:	Flange 1+5/8"
MER:	≥35dB
Shoulders attenuation (before output filter):	38dB (typ.; min. ≥ 36dB)
Housing:	Rack Cabinet 19" 25U; dimension: 570 x 1250 x 870 mm (W x H x D)
Power consumption:	<13,5KVA (typ. 10,5KVA) – Standard Broadband Configuration <8,5KVA (typ. 7,5KVA) – High Efficiency Narrowband Configuration (with reduced performances)
Power supply:	400 Vac ±10% 50/60Hz three phases (different power supplies and tolerances available on request)

Notes:

For standard specifications and general description, please refer to "MTX series" brochure. For TV transmitter driver technical specifications please refer to "MTX series – driving unit" brochure.

All specifications contained in this document may be changed without prior notice.